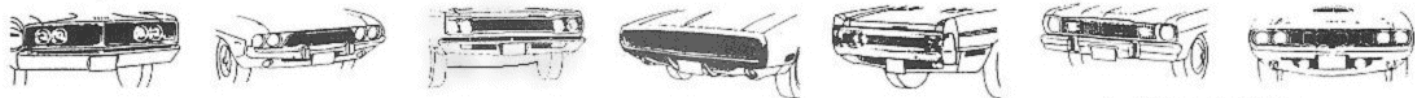


ROTTED FRAME REPAIR KITS FOR CHRYSLER VEHICLES '62 AND UP



IT'S EASY WITH SAFE-T-CAP!

(A) (B) (C) (E) (F) Designates Body style

L= Driver's Side
R= Passenger's side

Full front frame

- A - ART-11
- B - ART-12
- E - ART-13

Subframe front

- A - ART-8
- B - ART-9
- E - ART-10

Subframe rear

- A - ART-4
- B - ART-5
- E - ART-6
- F - ART-7

Torsion Mount

- A - ART-1
- B - ART-2
- E - ART-3

Safe-T-Cap (Original!)

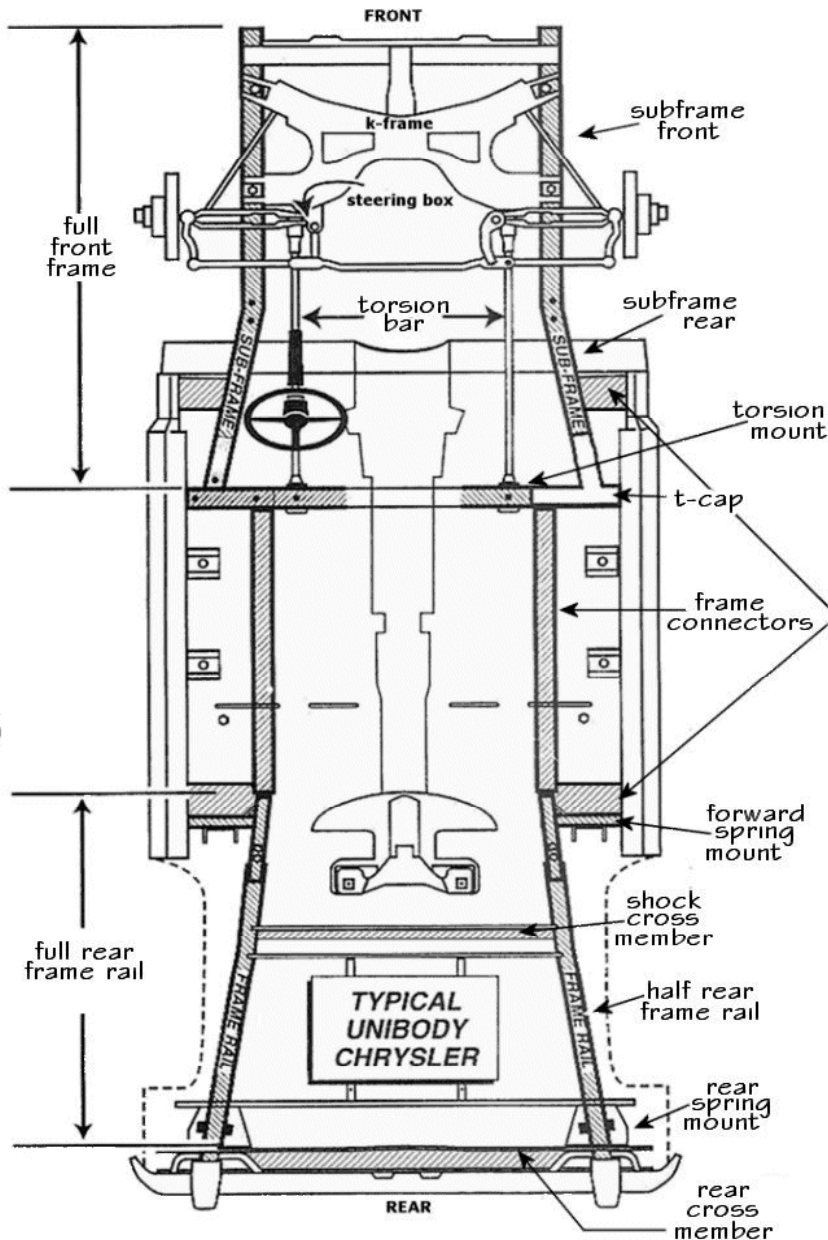
- B - ART-14
- E - ART-14-E

Full Rear Frame Rail

- A - ART-22-A
- B - ART-22-B
- E - ART-22-E

Half Rear Frame Rail

- B - ART-17
- E - ART-18



Forward Spring Mount

- B - ART-34
- E - ART-33

Rear Spring Mount

- A - ART-15
- B - ART-16

Shock Crossmember

- B - ART-36

Rear Crossmember

- A - ART-RCM-A
- B - ART-RCM-B
- E - ART-RCM-E

Torque Boxes

- A - ART-28/29-1
- B - ART-24/25-1
- late B - ART-24/25-2
- E - ART-26/27-1

Frame Connectors

- A - ART-19
- B - ART-19-B
- E - ART-21
- F - ART-20

All kits come with complete instructions!

Design registered with US Patent Office.



home of the



www.safetcap.com

1-800-407-7024
1-401-944-4203 fax
275 Niantic Avenue
Cranston, RI 02907
sales@autorust.com